

# CariStor

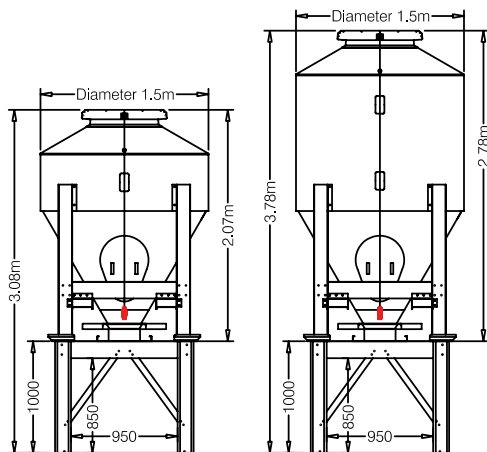
60° CENTRE DISCHARGE

**Collinson**  
AGRICULTURE

The CariStor can be located at your convenience even if it means conventional delivery vehicles can not readily gain access, as CariStor can be moved as required. Suitable for storing free flowing pelleted products or grain for filling conveyors or a chain feeder.

## Special Features

- Manufacture from 1.0mm galvanised high tensile steel
- 1.99m<sup>3</sup> or 3.07m<sup>3</sup> Capacity
- Discharge Slide Unit
- Auger / Manual fill hatch
- SafetyClean Panel
- Smooth internal walls
- Level Indicators
- Leg structure 2.5mm formed galvanised steel
- Forklift channels for safe relocation of silo unit
- Self locating plates for fast docking
- Optional Base unit c/w Discharge Docking system
- Fixing kit and full assembly instructions



## Upgrade to a Plasteel™ Finish

Juniper Green  
BS 12B29

Olive Green  
BS 12B27

Slate Blue  
BS 18B29

\* Offer only applies to selected colours, other colours are available on request



After a long, long life Collinson Silos are 100% Recyclable

Silos  
Conveyors  
Feeders

# Delivery Options

## Collinson Delivery

Delivery will be made by appointment so that the customer can ensure a telehandler\* or forklift is present for offloading immediately on arrival.

\* Forktines must be at least 1250mm long.

## Customer Collection

A flat bed vehicle, with a maximum bed height of 1.5m above road level, must be provided. A collection date and time will be arranged in advance. We are happy to load the CariStor for a 3rd party haulier arranged by the customer.

## Offloading

Delivery will be made by appointment so that the customer can ensure a fork lift truck is available for offloading immediately on arrival. Offloading is undertaken utilising the forklift channels.

## Base

A concrete base is required: 2 x 2 x 0.15m

## Bolting Down

The customer must ensure that the optional base is fixed securely to the concrete base. A fixing kit c/w leg packers is supplied.



Areas	Delivery areas: England, Scotland & Wales	Charge
1	Lancashire	£197
2	Greater Manchester	£221
3	Cheshire, North Humberside, North Yorkshire, South Yorkshire, West Yorkshire, Staffordshire	£257
4	Cumbria, Cleveland, Clwyd, Derbyshire, Denbighshire, Durham, Hereford & Worcestershire, Nottinghamshire, Shropshire, South Humberside, West Midlands, Warwickshire	£282
5	Avon, Bedfordshire, East Dumfries, Gloucestershire, Gwent, Leicestershire, Lincolnshire, Northamptonshire, Northumberland, Tyne & Wear	£294
6	Berkshire, Borders, Buckinghamshire, Cambridgeshire, Hertfordshire, Mid & South Glamorgan, Oxfordshire, West Dumfries & Galloway, Wiltshire	£319
7	Central Scotland, Glasgow, Lothian (Edinburgh), South Strathclyde, London, Somerset, Surrey, West Glamorgan	£343
8	Fife, Tayside, Dorset, Essex, Hampshire, Kent, Norfolk, Suffolk, East & West Sussex, Gwynedd, Powys	£367
9	Devon, Dyfed	£403
10	Cornwall, Grampian	£440
11	Highlands, Islands of Scotland, Isle Of Wight	P.O.A.

Part No.	CariStors	Price Ex Works
SCO-A0102	CariStor - 60° Assembled - 1.99m <sup>3</sup> Cap-Galvanised	£1863
SPT-	CariStor - 60° Assembled - 1.99m <sup>3</sup> Cap-Upgrade to Plasteel	£48
SCO-A0103	CariStor - 60° Assembled - 3.07m <sup>3</sup> Cap-Galvanised	£2013
SPT-	CariStor - 60° Assembled - 3.07m <sup>3</sup> Cap-Upgrade to Plasteel	£60
CariStors - Options		
SCE-FBC01	CariStor - FIBC Safety support Frame - Galvanised	£389
SCE-BUD01	CariStor - Base Unit c/w Discharge Docking System - Galv	£290
SCE-TFH01	CariStor - Top Filling Hatch c/w Weather Proof Slide Cover	£108
BFF-	Filler bend c/w lockseam filling pipe & tube to hose coupling	£197