

# CariStor

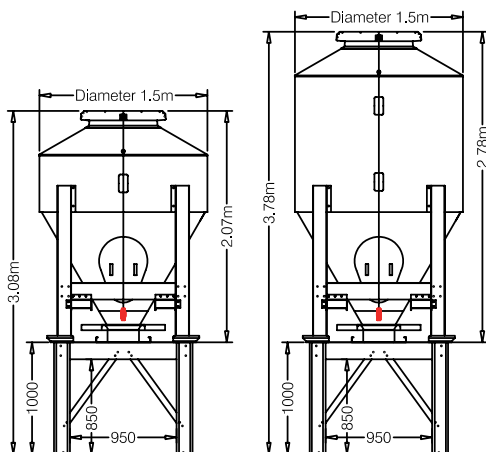
60° CENTRE DISCHARGE

# Collinson

The CariStor can be located at your convenience even if it means conventional delivery vehicles can not readily gain access, as CariStor can be moved as required. Suitable for storing free flowing pelleted products or grain for filling conveyors or a chain feeder.

## Special Features

- Manufacture from 1.0mm galvanised high tensile steel
- 1.99m<sup>3</sup> or 3.07m<sup>3</sup> Capacity
- Discharge Slide Unit
- Auger / Manual fill hatch
- SafetyClean Panel
- Smooth internal walls
- Level Indicators
- Leg structure 2.5mm formed galvanised steel
- Forklift channels for safe relocation of silo unit
- Self locating plates for fast docking
- Optional Base unit c/w Discharge Docking system
- Fixing kit and full assembly instructions
- CE Marked



## Upgrade to a Plasteel™ Finish

Juniper Green  
BS 12B29

Olive Green  
BS 12B27

Slate Blue  
BS 18B29

CE

# Delivery Options

## Collinson Delivery

Delivery will be made by appointment so that the customer can ensure a telehandler\* or forklift is present for offloading immediately on arrival.

\* Forktines must be at least 1250mm long.

## Customer Collection

A flat bed vehicle, with a maximum bed height of 1.5m above road level, must be provided. A collection date and time will be arranged in advance. We are happy to load the CariStor for a 3rd party haulier arranged by the customer.

## Offloading

Delivery will be made by appointment so that the customer can ensure a fork lift truck is available for offloading immediately on arrival. Offloading is undertaken utilising the forklift channels.

## Base

A concrete base is required: 2 x 2 x 0.15m

## Bolting Down

The customer must ensure that the base is fixed securely to the concrete base. A fixing kit c/w leg packers is supplied.



Area	Delivery areas	1x TriStor	2x TriStor
1*	FY, LA1-LA6, PR	£240	£330
2*	BB, BD, BL, CH, CW, HD, HX, L, LA7-LA23, M, OL, SK, WA, WN	£280	£390
3*	CA, DE, DL, DN, DY, HG, LS, NG, S, ST, TF, WF, WS, WV	£340	£480
4*	B, CV, DG, DH, GL, HR, HU, LE, LN, NE, NN, SY, TD, TS, WR, YO	£400	£570
5**	AL, BS, CB, EH, FK, G, HP, KA, KY, LL, LU, MK, ML, OX, PE, SG, SN	£450	£645
6**	BA, CF, CM, CO, DA, DD, GU, IP, LD, ME, NP, NR, PHI-PH31, PH49, PH50, RG, RH, RM, SA, SL, SP, SS	£500	£720
7**	AB, BH, BN, CT, DT, EX, PA, PH21-PH26, PO, SO, TA, TN, TQ	£560	£810
POA**	HS, IOM, IOW, IV, KW, PH32-PH44, PL, Scottish Isles, TR	POA	POA

\* Delivered within a one week window following our hauliers collection from Collinson.

\*\* Delivered within a two week window following collection from Collinson.

Note: Multiple silo delivery charges are for delivery to the same address at the same time.