

County Silo S4 Range

Collinson 

WIDE OUTLET CENTRE DISCHARGE

The wide outlet centre discharge silo with a 67° angled cone is suitable for storing material with poor flow characteristics for conveyor discharge.

Special Features

- Volumes from 36.3m³ to 57.7m³
- Galvanised or Plasteel™ (Plastic coated galvanised steel) construction
- Smooth internal walls
- Expansion chamber
- Pressure relief valve
- AutoVent
- FloView™ SafetyClean panel
- External, lockable filler pipe
- Heavy duty top filler bend (5mm wall thickness)
- Independent exhaust pipe
- Level indicators
- Crane lifting points
- Galvanised support structure designed to Eurocode 1, Part 1-4
- Clearance: 825mm under expansion chamber
- CE Marked

Range of 6 Plasteel™ Finishes

Juniper Green
BS 12B29

Olive Green
BS 12B27

Moorland Green
BS 12B21

Merlin Grey
BS 18B25

Slate Blue
BS 18B29

Vandyke Brown
BS 08B29

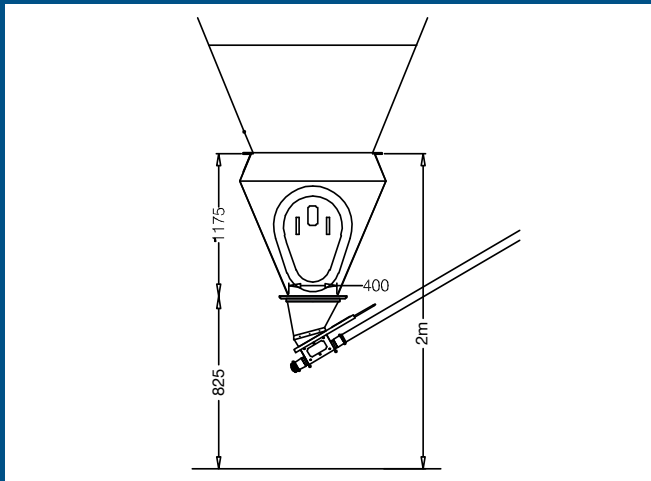
Colours may not be accurately reproduced in printing,
colour samples available on request



CE

Model Number	Overall Height	Barrels	Dia. (m)	Capacity (m ³)	Meal @ 577 kg/m ³	Pellets @ 650 kg/m ³	Grain @ 693 kg/m ³	Base Size (m)	Important Notes
S4D36	8.3m	2.00	3.35m	36.30m ³	20.95t	23.79t	25.16t	4.0 x 4.0 x 0.30m	<p>* O/A Silo height is based on the 825mm clearance under the cone, for silos with a different clearance, adjust the overall height accordingly.</p> <p>** Silo capacity indicated is the true volume of the entire shell of the silo. Please allow extra capacity in the silo you choose to allow for;</p> <p>a) Variations in product density due to aeration of product during pneumatic silo filling.</p> <p>b) Variable density of the product due to manufacturing specification.</p> <p>c) Extra spare capacity of 20% over and above the size of loads you are planning to have delivered.</p>
S4D47	9.5m	3.00	3.35m	47.00m ³	27.12t	30.55t	32.57t	4.0 x 4.0 x 0.35m	
S4D58	10.7m	4.00	3.35m	57.70m ³	33.29t	37.51t	39.99t	4.0 x 4.0 x 0.40m	

Discharge Option



Silo Discharge Expansion Chamber

- 400mm diameter outlet
- Outlet suits Rotaflex & Rotashaft Conveyors

Additional Discharge

SafetyClean Plus

This silo stands much higher than the rest of the range however the extra discharge from the cone is still a popular option when a conveyor is connected.



Optional Extras



Load Cell Mounting Frame

The load cell mounting frame c/w specially adapted silo feet. Collinson Silos SHOULD NOT be mounted on load cells without the special Collinson load cell mounting frame.



Cyclone Dust Collection Unit

Connect a cyclone to your silo for zero feed wastage and improved biosecurity.

Getting the Silo Ready to Use

- 1) It is your responsibility as the customer to provide a suitable ready mix concrete with grade C30 base, dimensions as per recommendation.
- 2) The County Range Silos are delivered and erected by vehicles fitted with hydraulic tipping gear which erects the silo onto the concrete base.
- 3) The driver/fitter will drill the concrete base and bolt the silo into position using expansion type anchor bolts.
- 4) If fitted with a slide unit the silo is now ready to use alternatively if a conveyor discharge is being connected, fitting can now take place.